



TOYOTA

ALWAYS A  
BETTER WAY

THE NEW  
CAMRY

THE NEW  
CAMRY

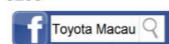


御景灣旗艦店  
服務地址：澳門馬禮遜博士大馬路御景灣第三座地下 C-F 舖  
服務熱線：2851 3388

日豐私家車維修及零件中心  
服務地址：澳門美副將大馬路 48-48D 號萬基工業大廈地下 A 舖  
服務熱線：2852 0012

日豐特約及商用車維修及零件中心  
服務地址：澳門漁翁街 166 號永好工業大廈地下  
服務熱線：2871 9268

獲取更多資訊：  
<https://www.toyotamacau.com/>



Toyota Macau



3 YEAR WARRANTY

C A M R Y

## 潛藏全新動力心臟 效能表現順暢無瑕

LIKE THE PULSE OF A PERFECT HEART

懷着Monster之名，豐田THE NEW CAMRY無論在引擎及波箱均有着顯著的提升。最大馬力達206PS及最大扭力輸出247Nm，油耗表現更進一步提升20%至14.2km/L，這副2.5公升直噴動力的心臟完美展現無限可能性，發揮它的真正潛能。

波箱宛如控制心臟跳動的指揮家，豐田THE NEW CAMRY搭配8前速Direct Shift變速箱，提供無比暢順的轉速銜接。

THE NEW CAMRY. A “Monster” engineered to be more than capable. With a maximum output of 206PS, peak torque of 247Nm and a 20% improvement in fuel efficiency to 14.2km/L, the 2.5-litre direct-injection engine is perfected to go further.

Equipped with Direct Shift-8AT, THE NEW CAMRY will set your pulse racing with seamless shift quality.



## 剛柔並濟 延續磅礴氣勢

WHERE STRENGTH MEETS SOPHISTICATION

豐田THE NEW CAMRY承襲原有的肌肉動感流線的設計，同時優化外型上的小細節，銳意彰顯耀眼磅礴氣勢。全新打造的電鍍鬼面罩設計，配上新款墨黑色尾燈內色及四輪18吋雙色合金輪圈，亦讓整體外觀增添運動氣息。

From equally muscular silhouette to every restyled feature, THE NEW CAMRY is too gorgeous to resist. Powerful stance of all-new chrome front grille design, boldly-styled black accents of the taillights and the 18" two-tone alloy wheels make your every arrival the center of attention.



全新打造的電鍍鬼面罩 All-new chrome front grille



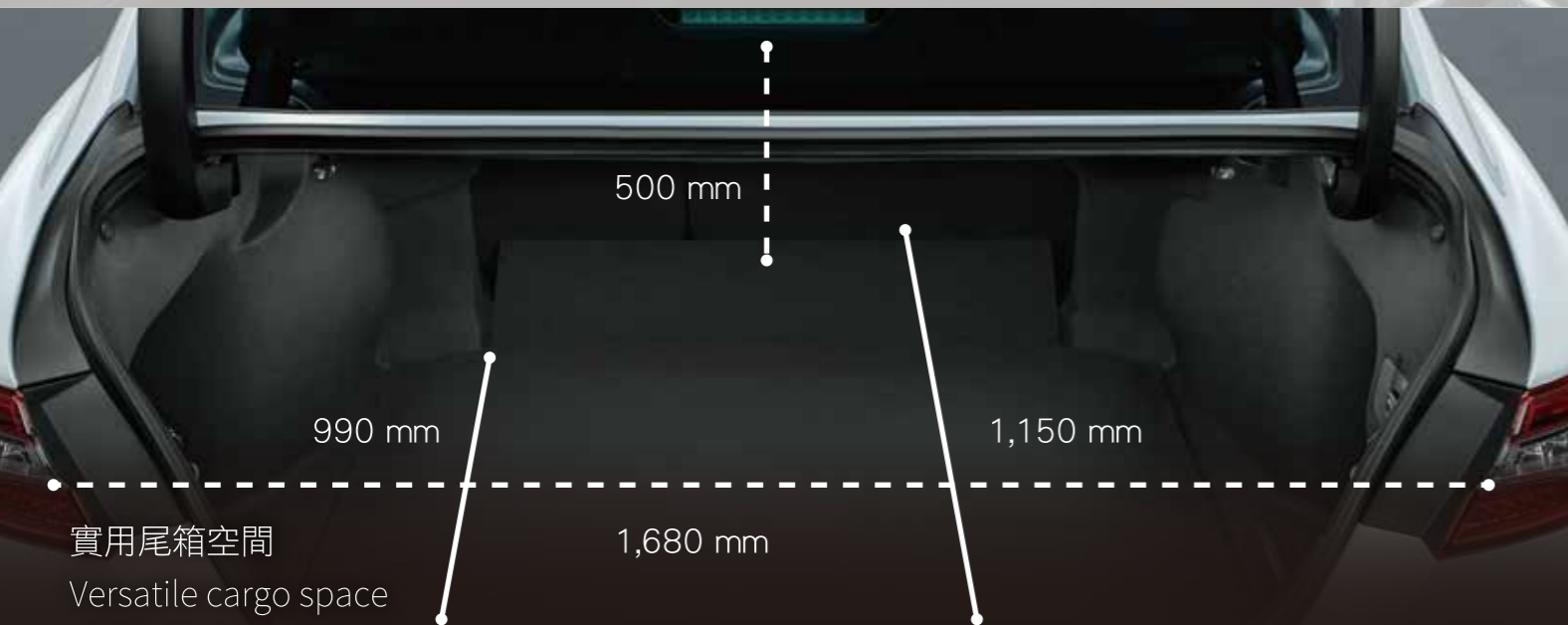
四輪18吋雙色合金輪圈 18" Two-tone alloy wheel

# 奢華觸感 每天愜意隨行

## EVERYDAY SPLENDOUR

豐田THE NEW CAMRY在內裝佈置上亦同步升級，精緻質感盡釋貴氣氛圍，讓你真正享受一趟駕駛旅程。

Resplendent in premium upholstery and finely-crafted details, THE NEW CAMRY is a state-of-the-art masterwork for your every pursuit.



# 豐田製造汽車新理念：由零開始創新

駕駛質素  
Driving Quality

舒適  
Comfort

優越感  
Pride of Ownership

人性化  
User-Friendliness

安全  
Security

## 低噪音及震動 Low Noise & Low Vibration Measures

### Benefits 優點

採用大量抗噪隔音物料配合車底、側鏡、尾燈等精心擾流設計，以減低行車震動及噪音，令每一趟旅程舒適享受。

Integrates various technological elements to enhance soundproofing performance and minimise vibrations.



## 高剛性車架設計 High Rigidity Body

### Benefits 優點

提高安全性，同時實現暢快駕駛及舒適乘坐。

Contributes to increase chassis responsiveness, ride quality and safety.

## 低重心設計 Low Center Of Gravity

### Benefits 優點

令車身擺動大幅減少，提供更優良駕駛操控表現，乘坐更舒適。

Precise and responsive handling with less body roll for a better vehicle control.

## 輕量化車身 Light Weight Body

### Benefits 優點

更優越駕駛表現兼降低油耗。

Provides greater driving performance and increase fuel-efficiency.

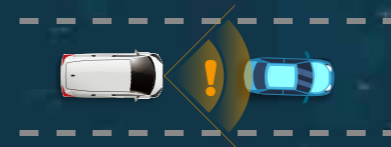
# TOYOTA SAFETY SENSE™

## 主動式安全系統

Toyota  
Safety  
Sense

### 預防正面碰撞：

**PCS** 預警式防護系統附自動煞車輔助  
Pre-Collision System



**DRCC** 雷達感應式車距巡航定速系統  
Dynamic Radar Cruise Control

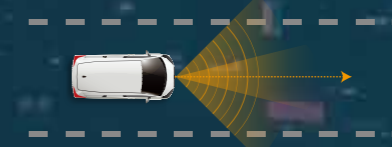


### 預防意外偏離線道：

**LDA** 線道偏離警示系統  
Lane Departure Alert



**LTA** 線道追蹤輔助系統  
Lane Tracing Assist



### 預防夜間行車事故：

**AHB** 智慧型高燈自動切換系統  
Automatic High-Beam



## 安全設備 SAFETY

原廠後泊車鏡頭  
Rear Parking Camera



8個安全氣囊（前座、前座兩側及前後簾式安全氣囊）  
8 SRS Airbags (Dual Front, Side and Front & Rear Curtain Shield Airbags)



# 車身顏色 EXTERIOR COLOUR



040 SUPER WHITE II 柔和白



089 PLATINUM WHITE PEARL MC. 珍珠白



1F7 SILVER ME. 型閃銀



1L5 PRECIOUS METAL 尊貴灰 **New**



218 ATTITUDE BLACK MC. 炫黑色



3U5 EMOTIONAL RED II 火熱紅

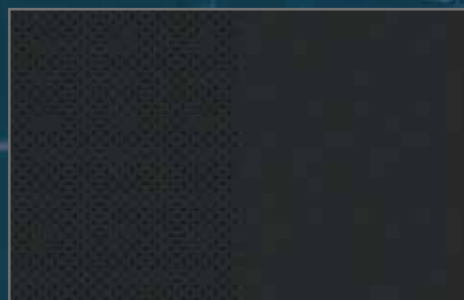


4X7 GRAPHITE ME. 格調啡



8W7 DK.BLUE M.M. 動感藍

# 車廂顏色 INTERIOR COLOUR



黑色原廠真皮座椅  
Black Leather Seat



米色原廠真皮座椅  
Beige Leather Seat

## 規格表 SPECIFICATION

| Model 車型   |                       | Camry  |
|--|-----------------------|--|
| Model Code 型號  |                       | AXVA70R-AEZNBWSD   |
| <b>Dimensions 車身量度</b>   |                       |  |
| Overall Length x Overall Width x Overall Height<br>全長 x 全闊 x 全高  | (mm)                  | 4,885 x 1,840 x 1,455  |
| Wheelbase 軸距   | (mm)                  | 2,825  |
| Tread 輪距   | Front 前 / Rear 後 (mm) | 1,580 / 1,600  |
| Kerb Weight 全車淨重   | (kg)                  | 1,495 - 1,550  |
| Seating Capacity 座位容量 (including driver 連司機)   |                       | 5  |
| <b>Engine 引擎</b>   |                       |  |
| Code 型號  |                       | A25A-FKS   |
| Type 類型  |                       | L4 DOHC 16-valve Dual VVT-iE Engine<br>直列式四汽缸雙頂凸輪軸16氣閥雙VVT-i引擎   |
| Displacement 汽缸容量  | (cc)                  | 2,487  |
| Max. Output 最大馬力   | PS/rpm                | 206 / 6,600  |
| Max. Torque 最大扭矩   | Nm/rpm                | 247 / 5,000  |
| Emission 排氣系統  |                       | Euro 6 歐盟六型  |
| Fuel Economy 油耗*   | (km/L)                | 14.2   |
| <b>Chassis 車身</b>  |                       |  |
| Transmission Type 傳動系統   |                       | Direct Shift-8AT with +/- Mode<br>8前速Direct Shift 變速箱連+/- 轉檔   |
| Drive System 驅動系統  |                       | Front Wheel Drive 前輪驅動   |
| Chassis Design 車身底盤設計  |                       | TNGA All New Chassis TNGA 全新車身底盤   |
| Suspension 懸掛系統  |                       | Front 前 / Rear 後<br>MacPherson Strut 麥花臣臂桿 / Double Wishbone 雙搖臂   |
| Brake 剎車系統   |                       | Front 前 / Rear 後<br>Ventilated Disc 通風碟式 / Solid Disc 實心碟式   |
| Steering 轉向系統  |                       | Rack and Pinion, Electronic Power Assisted 天梯牙式電子動力輔助  |
| Minimum Turning Radius 最小轉向半徑  |                       | (m)<br>5.8   |
| Tyre & Wheel 輪胎及輪圈   |                       | 235/45R18 Two-tone Alloy Wheel 雙色合金輪圈  |
| Fuel Tank Capacity 油缸容量  |                       | (L)<br>60  |
| <b>Exterior 外型</b>   |                       |  |
| Panoramic Roof 全景天幕  |                       | •  |
| Power Tilt & Slide Moonroof 電動前天窗  |                       | •  |
| Auto On/Off LED Headlamps with Levelling 自動開關LED頭燈連光線高低調校  |                       | •  |
| LED Daytime Running Lamp LED日行燈  |                       | •  |
| Front LED Fog Lamp 前LED霧燈  |                       | •  |
| LED Rear Combination Lamp LED車尾燈組合   |                       | •  |
| LED Trafficator LED門邊鏡指揮燈  |                       | •  |
| Power Adjustable & Retractable Door Mirrors with Heater 電動調校及摺合門邊鏡連發熱功能  |                       | •  |
| Windshield Wiper with Rain Sensor 雨點感應自動開關水撥   |                       | •  |
| <b>Interior 車廂</b>   |                       |  |
| Leather Steering Wheel with Audio and TEL switches<br>優質皮軟環附設音響及藍芽免提控制按鈕   |                       | •  |
| Smart Entry and Push Start System 智能車匙及按鈕啟動系統  |                       | •  |
| Dual Zone Automatic Climate Control with nanoe™ Air Purifying Function and Rearvent<br>左右獨立恆溫冷氣系統連nanoe™納米離子空氣淨化功能連後排出風口 |                       | •  |
| Power Adjustable Front Seat 電動調校前座座椅   |                       | Driver: Power Adjustable Seat with Lumbar Support 駕駛席: 電動調校座椅連腰靠<br>Passenger: Power Adjustable Seat 乘客席: 電動調校座椅 |
| Leather Seat 優質原廠真皮座椅  |                       | •  |
| Interior Cabin with Blue Illumination 車廂藍光和諧效果   |                       | •  |
| Electric Parking Brake with Brake Hold Function 電子停車制動連停車鎖功能   |                       | •  |
| • USB Charging Ports x 2 for Rear Passengers (2.1A) 後座2個USB電源插頭 (2.1A)   |                       | • 60/40 Split Foldable Rear Seatbacks 可作6/4摺合之後座椅背   |
| • Electronic Tuning Radio with 6 Speakers, AUX-in, USB and bluetooth function<br>電子選台收音機連六喇叭、外置輸入、USB及藍芽免提裝置             |                       | • 9" Genuine Touch Panel Monitor with Wireless Apple CarPlay<br>原廠9"輕觸式屏幕連Apple CarPlay                          |
| <b>Toyota Safety Sense™ 主動式安全系統</b>  |                       |  |
| Pre-Collision System 預警式防護系統附自動煞車輔助  |                       | •  |
| Dynamic Radar Cruise Control 雷達感應式車距巡航定速系統   |                       | •  |
| Automatic High-Beam 智慧型遠光燈自動切換系統   |                       | •  |
| Lane Tracing Assist 線道追蹤輔助系統   |                       | •  |
| Lane Departure Alert 線道偏離警示系統  |                       | •  |
| <b>Safety 安全設備</b>   |                       |  |
| Hill Start Assist Control System HAC上斜起動輔助系統   |                       | •  |
| Rear Parking Camera 原廠後泊車鏡頭  |                       | •  |
| • 8 SRS Airbags (Dual Front, Side and Front & Rear Curtain Shield Airbags)<br>8個安全氣囊(前座、前座兩側及前後窗帘式安全氣囊)                  |                       | • Anti-theft System with Alarm and Immobilizer<br>原廠防盜系統連警示器及引擎上鎖裝置  |
| • Traction Control System TRC循跡控制系統  |                       | • Vehicle Stability Control VSC行車穩定操控系統  |
| • Front & Rear Parking Sensor 前後泊車警示器  |                       | • Anti-lock Braking System ABS防鎖剎車系統   |

### Note 備註:

Apple CarPlay is a trademark of Apple Inc. Apple CarPlay 乃Apple Inc.的註冊商標  
 nanoe is a trademark of Panasonic Corporation nanoe乃Panasonic 註冊商標  
 #Fuel economy figure is calculated and provided by manufacturer based on Euro 6C standard. The figure is for reference only. Actual fuel economy depends also on driving conditions. The figure approved by the Environmental Protection Department shall be final. 油耗數字由日本廠方提供及以歐盟6C模式計算, 只供參考之用, 實際油耗因應汽車使用情況而定並以環境保護署最終批核文件為準。  
 All prices already include the first registration tax, air-conditioner, security system, audio system, warranty and rust-proofing. Crown Motors Ltd. warrants each new vehicle for 60 months or 100,000km (whichever comes first), with related conditions apply. Toyota Warranty terms do not cover the cost of repairs, replacement of parts or any other necessary adjustments arising out of the installation of non-Toyota alarm systems. All optional equipment is subject to tax.  
 所有車價已包括首次登記稅、冷氣系統、防盜系統、音響系統、保用及防銹處理。皇冠汽車有限公司為每輛新車提供為期六十個月或首十萬公里(以先到期者為準)的原廠保用, 並須受有關細則限制。本公司的維修保用計劃不包括因安裝非豐田特許防盜系統而導致需要進行維修、替換零件或其他調整之費用。所有附加設備均需繳付稅款。  
 Vehicles pictured in enclosed catalogue may vary from models available in Hong Kong. PRICES AND SPECIFICATIONS ARE SUBJECT TO CHANGE WITHOUT NOTICE.  
 所附產品簡介之規格或與本港出售之型號或有相異之處。定價及規格如有更改, 恕不另行通知。